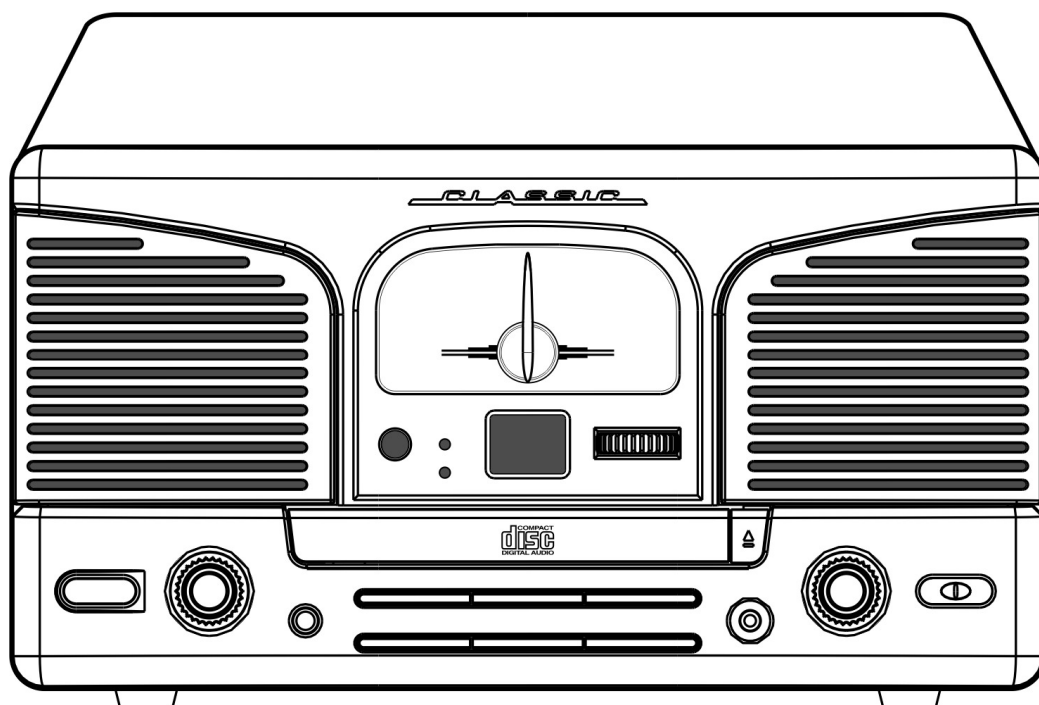




**CD PLAYER WITH TURNTABLE AND STEREO RADIO RECEIVER**



**RCD824**

**INSTRUCTION MANUAL**



## GRAPHICAL SYMBOLS EXPLANATION AND OUTDOOR USE OR WET LOCATION WARNING

THE OPERATING INSTRUCTION SHALL ACCOMPANY THE ILLUSTRATION OF THE GRAPHICAL SYMBOLS MARKED ON THE APPLIANCE, AND AN EXPLANATION OF THEIR MEANING.

### **WARNING:**

To reduce the risk of fire or electric shock, do not expose this apparatus to rain or moisture.

### **CAUTION:**

Use of control or adjustments or performance of procedures other than those specified may result in hazardous radiation exposure.



CAUTION-TO REDUCE THE RISK OF ELECTRIC SHOCK, DO NOT REMOVE COVER (OR BACK). NO USER-SERVICING TO QUALIFIED SERVICE PERSONNEL.



The lightning flash with arrowhead symbol, within an equilateral triangle, is intended to alert the user to the presence of uninsulated "dangerous voltage" within the product's enclosure that may be of sufficient magnitude to constitute a risk of electric shock to persons.



The exclamation point within an equilateral triangle is intended to alert the user to the presence of important operating and maintenance (servicing) instructions in the literature accompanying the appliance.

## IMPORTANT SAFETY INSTRUCTIONS

1. READ THESE INSTRUCTIONS
2. KEEP THESE INSTRUCTIONS
3. HEED ALL WARNINGS
4. FOLLOW ALL INSTRUCTIONS
5. DO NOT USE THIS APPARATUS NEAR WATER
6. CLEAN ONLY WITH A DRY CLOTH
7. DO NOT BLOCK ANY OF THE VENTILATION OPENINGS. INSTALL IN ACCORDANCE WITH THE MANUFACTURERS INSTRUCTIONS
8. DO NOT INSTALL NEAR ANY HEAT SOURCES SUCH AS RADIATORS, HEAT REGISTERS, STOVES, OR OTHER APPARATUS (INCLUDING AMPLIFIERS) THAT PRODUCE HEAT.
9. DO NOT DEFEAT THE SAFETY PURPOSE OF THE POLARIZED OR GROUNDING – TYPE PLUG. A POLARIZED PLUG HAS TWO BLADES WITH ONE WIDER THAN THE OTHER. A GROUNDING TYPE PLUG HAS TWO BLADES AND A THIRD GROUNDING PRONG. THE WIDE BLADE OR THE THIRD PRONG ARE PROVIDED FOR YOUR SAFETY. WHEN THE PROVIDED PLUG DOES NOT FIT INTO YOUR OUTLET, CONSULT AN ELECTRICIAN FOR REPLACEMENT OF THE OBSOLETE OUTLET.
10. PROTECT THE POWER CORD FROM BEING WALKED ON OR PINCHED PARTICULARLY AT PLUGS, CONVENIENCE RECEPTACLES, AND THE POINT WHERE THEY EXIT FROM THE APPARATUS.
11. ONLY USE ATTACHMENTS / ACCESSORIES SPECIFIED BY THE MANUFACTURER.
12. USE ONLY WITH A CART, STAND, TRIPOD, BRACKET, OR TABLE SPECIFIED BY THE MANUFACTURER, OR SOLD WITH THE APPARATUS. WHEN A CART IS USED, USE CAUTION WHEN MOVING THE CART / APPARATUS COMBINATION TO AVOID INJURY FROM TIP-OVER.

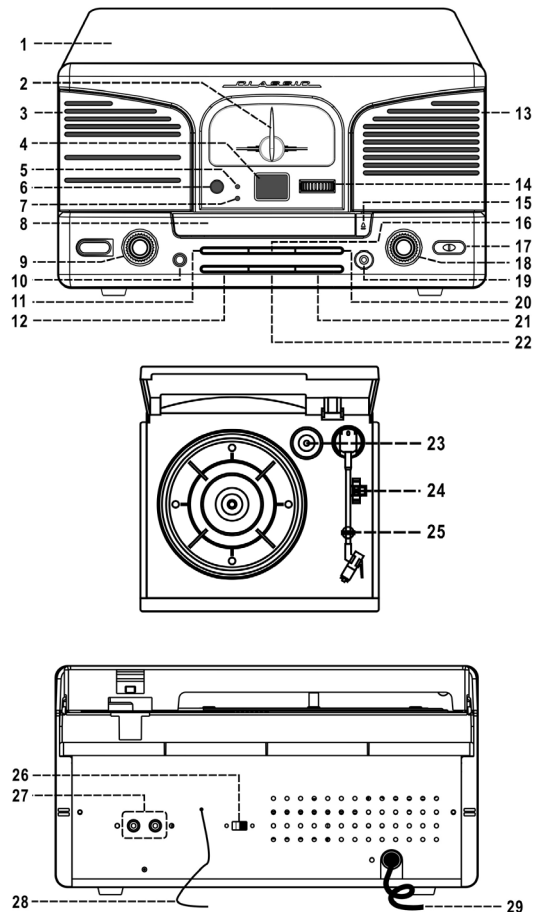


### PROTABLE CART WARNING

13. UNPLUG THIS APPARATUS DURING LIGHTNING STORMS OR WHEN UNUSED FOR LONG PERIODS OF TIME.
14. REFER ALL SERVICING TO QUALIFIED SERVICE PERSONNEL. SERVICING IS REQUIRED WHEN THE APPARATUS HAS BEEN DAMAGED IN ANY WAY, SUCH AS POWER-SUPPLY CORD OR PLUG IS DAMAGED, LIQUID HAS BEEN SPILLED OR OBJECTS HAVE FALLEN INTO THE APPARATUS, THE APPARATUS HAS BEEN EXPOSED TO RAIN OR MOISTURE, DOES NOT OPERATE NORMALLY, OR HAS BEEN DROPPED.

## LOCATION OF CONTROLS

- 1) DUST COVER
- 2) DIAL POINTER
- 3) LEFT SPEAKER
- 4) LED DISPLAY
- 5) MEMORY LED INDICATOR
- 6) REMOTE SENSOR
- 7) FM STEREO LED INDICATOR
- 8) CD DOOR
- 9) VOLUME KNOB
- 10) X-BASS CONTROL BUTTON
- 11) PROGRAM BUTTON
- 12) REPEAT BUTTON
- 13) RIGHT SPEAKER
- 14) TUNING KNOB
- 15) CD DOOR OPEN BUTTON
- 16) CD STOP BUTTON
- 17) RADIO BAND SELECTOR
- 18) FUNCTION SELECTOR
- 19) 3.5MM STEREO HEADPHONE JACK
- 20) CD PLAY/PAUSE BUTTON
- 21) CD SKIP UP▶▶I BUTTON
- 22) CD SKIP DOWN◀◀I BUTTON
- 23) SPINDLE ADAPTOR
- 24) 33/45 RPM SPEED SELECTOR
- 25) PICK-UP HOLDER
- 26) AUTO STOP SWITCH
- 27) LINE OUT SOCKET
- 28) FM ANTENNA
- 29) AC CORD



### CAUTION:

USAGE OF CONTROLS OR ADJUSTMENTS OR PERFORMANCE OF PROCEDURES OTHER THAN THOSE SPECIFIED HEREIN MAY RESULT IN HAZARDOUS RADIATION EXPOSURE. THIS UNIT SHOULD NOT BE ADJUSTED OR REPAIRED BY ANYONE EXCEPT QUALIFIED SERVICE PERSONNEL.

## PRECAUTIONS FOR USE

### INSTALLATION

- UNPACK ALL PARTS AND REMOVE PROTECTIVE MATERIAL.
- DO NOT CONNECT THE UNIT TO THE MAINS BEFORE CHECKING THE MAINS VOLTAGE AND BEFORE ALL OTHER CONNECTIONS HAVE BEEN MADE.
- DO NOT COVER ANY VENTS AND MAKE SURE THAT THERE IS A SPACE OF SEVERAL CENTIMETERS AROUND THE UNIT FOR VENTILATION.

### CONNECTION

1. CONNECT THE POWER CORD TO AC OUTLET
2. SWITCH THE SYSTEM TO " RADIO " FUNCTION. IF THE BACKGROUND OF DIAL SCALE LIGHT UP WITH AMBER LIGHT, IT'S MEAN THE POWER SUPPLY IS NORMAL. NOW YOUR SYSTEM IS READY TO PLAY THE MUSIC.

## LISTENING TO RADIO

### MANUAL TUNING

1. SELECT THE DESIRED BAND BY RADIO BAND SELECTOR (AM OR FM OR FM-STEREO).
2. TUNE TO THE REQUIRED STATION BY TURNING THE TUNING KNOB.
3. ADJUST VOLUME KNOB TO THE DESIRE VOLUME LEVEL.

**FM & FM-STEREO RECEPTION**

- SET THE RADIO BAND SELECTOR AT “ FM ” POSITION. PROGRAMS ARE RECEIVED IN MONO MODE. IN PARTICULAR WHEN STEREO SIGNAL ARE WEAK. IT IS PREFERABLE TO RECEIVE THE PROGRAM IN MONO.
- SET THE RADIO BAND SELECTOR AT “FM-ST” POSITION FOR RECEIVING STEREO PROGRAMS. THE FM-STEREO LED INDICATOR WILL LIGHT UP TO SHOW FM STEREO PROGRAM IS RECEIVING.

**HINTS FOR BEST RECEPTION:-**

- AM : THE RECEIVER HAS A BUILT-IN AM BAR ANTENNA. IF AM RECEPTION IS WEAK, SLIGHTLY ROTATE OR RE-POSITIONING OF THE UNIT WILL USUALLY IMPROVE THE AM RECEPTION.
- FM : THE RECEIVER HAS A BUILT-IN FM WIRE ANTENNA HANGING AT THE REAR CABINET. THIS WIRE SHOULD BE TOTALLY UNRAVELED AND EXTENDED FOR BEST RECEPTION.

**PLAYING COMPACT DISC**

● **GETTING START**

1. SET THE FUNCTION SELECTOR AT “CD” POSITION, OPEN THE CD COMPARTMENT BY PRESSING THE CD DOOR OPEN BUTTON. PUT A CD DISC INTO THE COMPARTMENT AND CLOSE THE CD DOOR.
2. FOCUS SEARCH IS PERFORMING IF DISC IS INSIDE. TOTAL NUMBER OF TRACKS IS READ.

● **PLAY / PAUSE MODE▶||**

1. IF PLAY/PAUSE BUTTON IS PRESSED DURING STOP MODE, THE FIRST TRACK WILL BE PLAYED AND THE PLAYING TRACK WILL DISPLAY AT THE LED DISPLAY.
2. IF PLAY/PAUSE BUTTON IS PRESSED DURING PLAY MODE, GOTO PAUSE MODE AND THE PAUSE LED INDICATOR WILL FLASHING.

● **STOP MODE■**

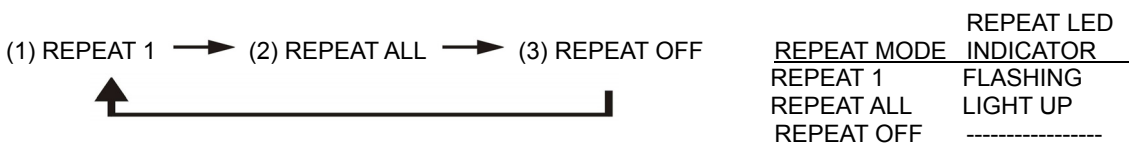
1. IF STOP BUTTON IS PRESSED DURING PLAY OR PAUSE MODE. GO TO STOP MODE AND DISPLAY TOTAL NUMBER OF TRACK ON LED DISPLAY.

● **SKIP MODE (SKIP UP▶▶I/SKIP DOWNI◀◀)**

1. DURING PLAY OR PAUSE MODE, IF SKIP UP BUTTON IS PRESSED IT WILL GO TO NEXT TRACK AND DISPLAY THE TRACK NO. AND THEN CONTINUOU THE PLAY OR PAUSE MODE.
2. DURING PLAY OR PAUSE MODE, IF BACK BUTTON IS PRESSED IT WILL GO BACK TO THE BEGINNING OF THE TRACK, SAME TRACK NO. IS DISPLAY CD AND CONTINUOUS THE PLAY OR PAUSE MODE.
3. AFTER STEP, PRESS BACK BUTTON AGAIN IT WILL GO TO THE PREVIOUS TRACK AND CONTINUOU THE PLAY OR PAUSE MODE.

● **REPEAT MODE**

PRESS THE REPEAT BUTTON BEFORE OR DURING PLAY, A SINGLE TRACK OR ALL THE TRACKS CAN BE REPEATED. EACH PRESS SWITCH THE REPEAT MODE AS FOLLOW:-



**CD PROGRAMMING**

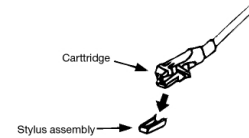
UP TO 20 TACKS CAN BE PROGRAMMED FOR DISC PLAY IN ANY ORDER. BEFORE USE, BE SURE TO PRESS THE STOP BUTTON.

1. SET IN CD MODE.
2. PRESS THE PROGRAM BUTTON AND THE PROGRAM LED INDICATOR WILL LIGHT UP & FLASHING.
3. SELECT A DESIRED TRACK BY USING THE SKIP BUTTONS.
4. PRESS THE MEMORY BUTTON TO ENTER THE TRACK INTO THE MEMORY.
5. REPEAT STEPS 3 AND 4 TO ENTER ADDITIONAL TRACKS INTO THE MEMORY IF NECESSARY.
6. WHEN ALL THE DESIRED TRACKS HAVE BEEN PROGRAMMED, PRESS PLAY/PAUSE BUTTON TO PLAY THE DISC IN THE ORDER YOU HAVE PROGRAMMED. THE MEMROY LED INDICATOR WILL LIGHT UP AND FLASHING DURING PLAYBACK
7. PRESS STOP BUTTON TO TERMINATE PROGRAM PLAY.

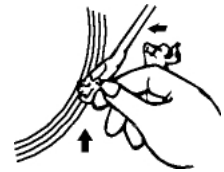
## PHONO

### NOTED:

- REMOVE THE STYLUS PROTECTOR.
- BE SURE THAT THE TONE ARM IS BEING DETACHED FROM THE TONE ARM REST BEFORE OPERATING AND RE-SECURED AGAIN AFTERWARDS.



1. SELECT TO " PHONO " FUNCTION.
2. SET THE SPEED SELECTOR TO THE PROPER POSITION DEPENDING ON THE RECORD TO BE PLAYED.
3. PLACE THE RECORD ON THE PLATTER (USE THE SPINDLE ADAPTOR IF REQUIRED).
4. LIFT THE TONE ARM FROM THE REST AND SLOWLY MOVE IT TO THE RECORD SIDE. THE PLATTER WILL START TO ROTATE.
5. PLACE THE TONE ARM TO THE DESIRED POSITION OF THE RECORD.
6. ADJUST THE VOLUME TO THE DESIRED LEVEL.
7. AT THE END OF RECORD, THE PLATTER WILL AUTOMATICALLY STOP ROTATING. LIFT THE TONE ARM FROM THE RECORD AND RETURN IT TO THE REST.
8. TO STOP MANUALLY, LIFT THE TONE ARM FROM THE RECORD AND RETURN IT TO THE REST.



**REMARK :** AS SOME KIND OF RECORD THE AUTO-STOP AREA WAS OUT OF THE UNIT SETTING, SO IT WILL STOP BEFORE THE LAST RACK FINISH. IN THIS CASE, SELECT THE AUTO-STOP SWITCH (26) TO " OFF " POSITION, THEN IT WILL RUN TO THE END OF THE RECORD BUT WILL NOT STOP AUTOMATICALLY (TURN OFF THE UNIT BY POWER BUTTON OR SWITCH BACK THE AUTO-STOP SWITCH TO " ON " POSITION TO STOP THE PLATTER ROTATE). THEN PUT BACK THE TONE ARM TO THE REST POSITION.

## LINE OUT CONNECTION

YOU CAN CONNECT THE SYSTEM TO YOUR WHOLE HI-FI SYSTEM BY CONNECTING THE LINE OUT SOCKET (27) TO THE AUXILIARY INPUT SOCKET WITH A RCA CABLE (NOT INCLUDED).

**REMARK :** THE SOUND FROM THE ORIGINAL BUILD-IN SPEAKER WILL NOT BE TERMINATED EVEN AFTER CONNECTING TO OTHER HI-FI SYSTEM VIA LINE OUT SOCKET. YOU CAN TURN THE VOLUME OF SYSTEM TO MINIMUM LEVEL IF YOU PREFER THE SOUND COMING FROM THE HI-FI SYSTEM ONLY.

## REMOTE CONTROL TRANSMITTER CONTROL FUNCTIONS

### BATTERY INSTALLATION (BATTERY NOT PROVIDED)

THE INFRA-RED TRANSMITTER REQUIRES 2 PC AAA SIZE BATTERY FOR OPERATION

### BUTTON DESCRIPTION

- |                            |   |
|----------------------------|---|
| 1) PROGRAM                 | IN CD MODE, PRESS TO ENTER PROGRAM MODE.  |
| 2) REPEAT                  | IN CD MODE, PRESS TO ENABLE REPEAT PLAY   |
| 3) SKIP/SEARCH FORWARD ►►► | PRESS ONCE TO SKIP TO NEXT TRACK, PRESS & HOLD FOR SEARCH FORWARD                             |
| SKIP/SEARCH BACKWARD ◄◄◄   | PRESS ONCE TO SKIP TO PREVIOUS TACK.PRESS & HOLD FOR SEARCH BACKWARD                          |
| 4) PLAY/PAUSE ►            | IN CD MODE, PRESS ONCE TO START PLAYBACK. PRESS ONCE AGAIN TO STOP THE DISC PLAY TEMPORARILY. |
| 5) STOP ■                  | PRESS TO TERMINATE CD PLAYBACK.   |

